

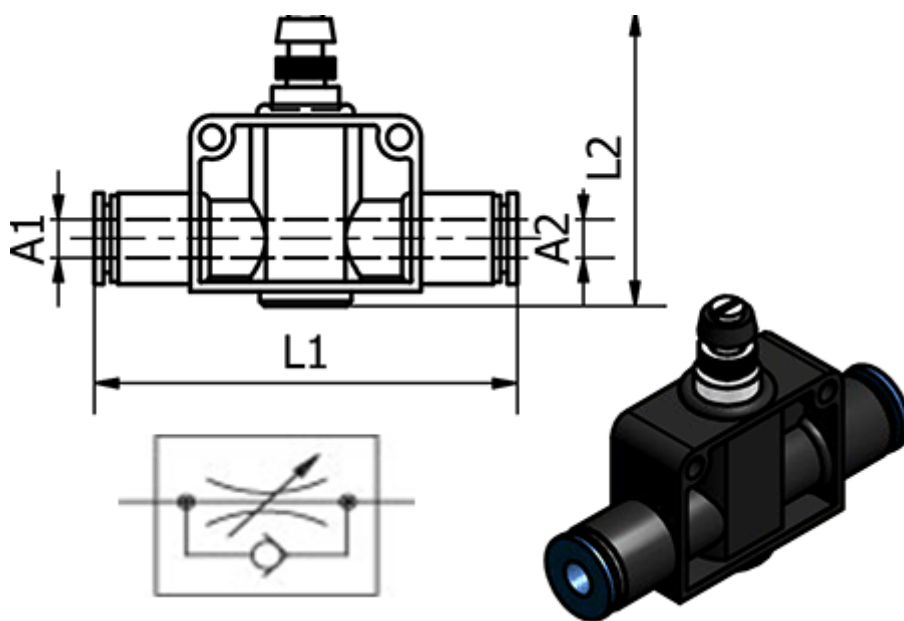
# Data Sheet



Article number: 5861810404

Description: Flow Control Valve 181.0404, Ø4 Ø4  
Push-in

## Measures



Ext. Hose Diameter A1 = 4

Ext. Hose Diameter A2 = 4

L1 = 39.5

L2 = 25.7